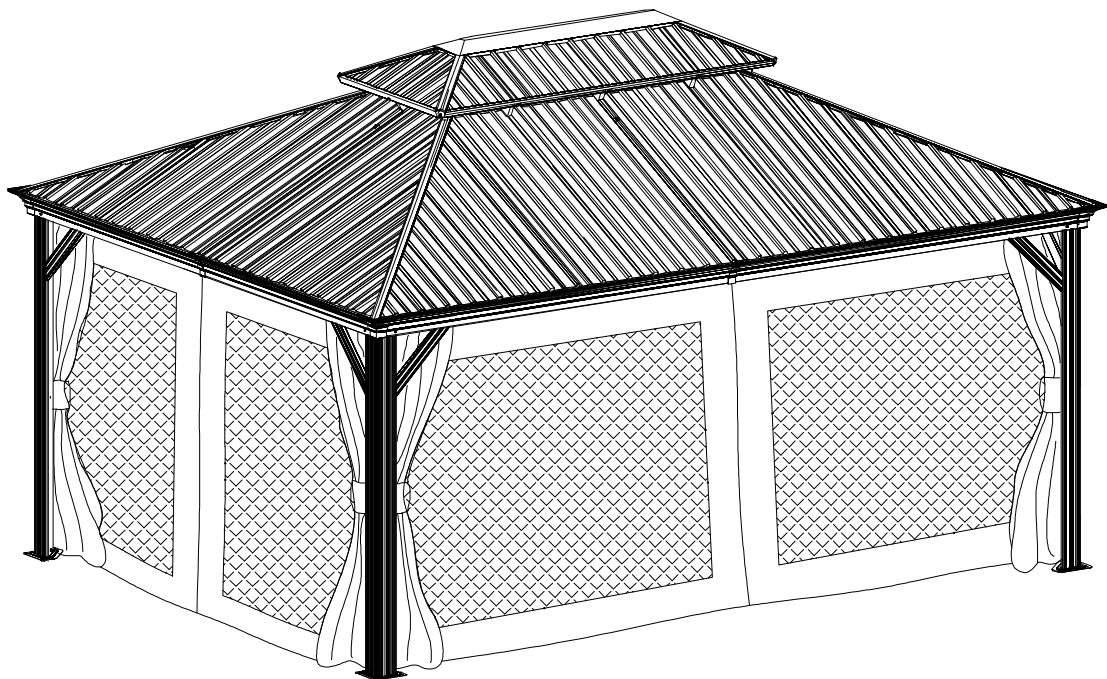


PATIO TREE

12'x16' Portofino Hardtop Gazebo With Double Roof

Assembly Manual



Read the instructions before use of this product.

Please keep this instruction manual for future reference.



1. Three or more people are required for assembly.



2. You will need one or more stepladders.



3. Wearing protective gloves is recommended.



4. You may need a safety hat.



5. Use the hex keys in the box.



6. Please use a Phillips screwdriver.

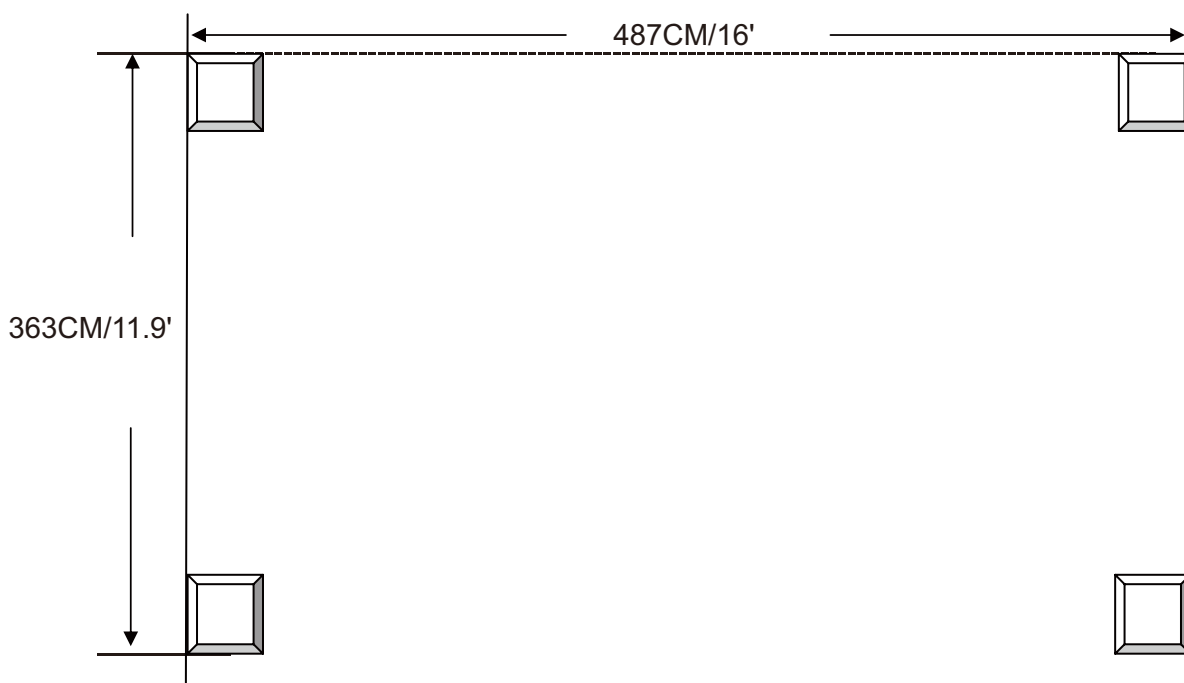


7. Do not fully tighten screws prior to complete assembly.



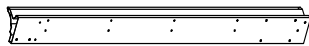

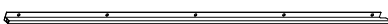
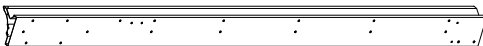



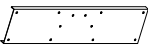

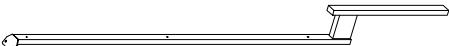











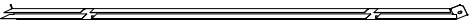

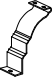
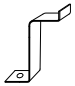


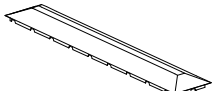
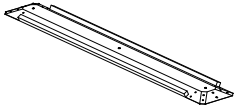
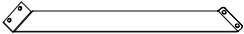

8. For ease of construction, you may need to use a drill.

















12'X16' ANCHOR BLUEPRINT














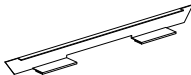

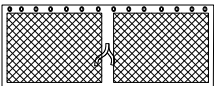


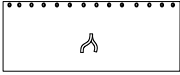
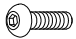

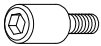


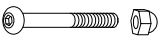

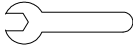


PARTS&HARDWARE LIST

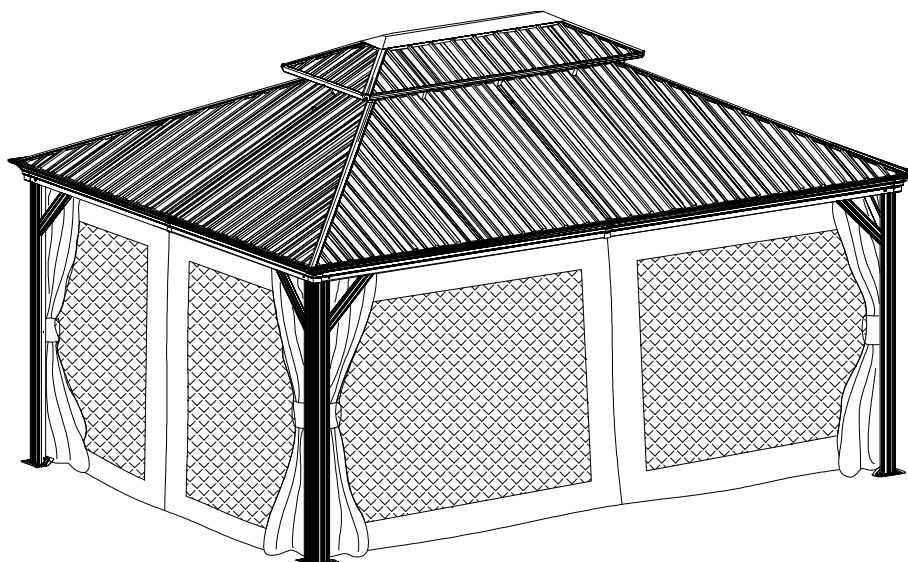
PART PIECE	ITEM/ARTICLE	DESCRIPTION	QTY/QTÉ
A		Pole	4
B		Beam	2
B1		Beam	2
B2		Sidewall Track	2
B3		Sidewall Track	2
C		Beam	2
C1		Beam	2
C2		Sidewall Track	2
C3		Sidewall Track	2
D		Union Bar	4
E		Corner Roof Bar	4
E1		Roof Bar	6
F1		Jointer Bar	2
F2		Jointer Bar	2
F3		Jointer Bar	2

PART PIECE	ITEM/ARTICLE	DESCRIPTION	QTY/QTÉ
F4		Jointer Bar	2
F5		Jointer Bar	2
G		Solidifying Bar	4
G1		Solidifying Bar	2
G2		Solidifying Bar	4
H		Finishing Bar	2
H1		Finishing Bar	2
I		Corner Cover	4
I1		Joint Cover	4
I2		Joint Cover	4
J		Finishing Bar	2
J1		Finishing Bar	2
K		Outside Roof Connector	1
K1		Inside Roof Connector	1
L1		Corner Solidifying Bar	4
L2		Corner Solidifying Bar	4

PART PIECE	ITEM/ARTICLE	DESCRIPTION	QTY/QTÉ
M1		Base	4
M2		Finishing End	8
M3		Iron Angle	6
M4		Iron Angle	4
M5		Spacer	112
N		Roof Panel	2
N1		Roof Panel	2
N2		Roof Panel	2
N3		Roof Panel	2
N4		Roof Panel	2
N5		Roof Panel	2
N6		Roof Panel	2
N7		Roof Panel	2
N8		Roof Panel	2
N9		Roof Panel	2
O		Roof Panel	2

PART PIECE	ITEM/ARTICLE	DESCRIPTION	QTY/QTÉ
O1		Roof Panel	2
O2		Roof Panel	2
O3		Roof Panel	2
O4		Roof Panel	2
O5		Roof Panel	2
O6		Roof Panel	2
O7		Roof Panel	2
P		Roof Panel	2
P1		Roof Panel	4
P2		Roof Panel	2
Q		Roof Panel	2
Q1		Roof Panel	2
R		Metal Bracket	12+4
R1		Metal Bracket	76
S		Hook	88
T		Mosquito Sidewall	4

PART PIECE	ITEM/ARTICLE	DESCRIPTION	QTY/QTÉ
T1		Solide Sidewall	4
X	 M6*15	Screws	238+5
X1	 M6*25	Screws	9+1
X2		Screws	16+2
X3	 M6*25	Screws	86+3
X4	 M6*45	Screws	12+2
X5	 M6*50	Screws	26+2
X6	 5*10	Screws	48+3
X7		Wrench	1
X8		Allen Key	2
X9		Screw Driver	1



STEP1

Set up poles (Part A) with stand paletes (Part M1) using screws X as shown in diagram.



Ax4

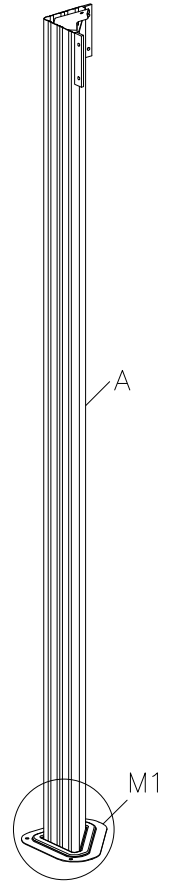
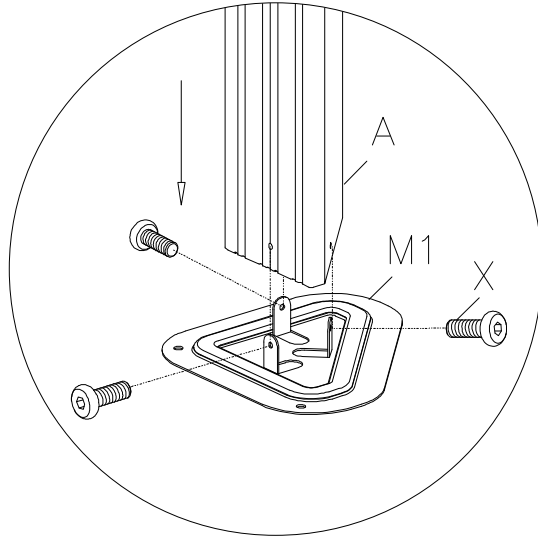


M1x4



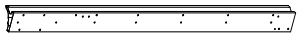
M6*15

Xx12



STEP2

Connect (Part C) and (Part C1) into one beam using union bar (Part D) with screw X as shown in diagram.



Cx2



C1x2

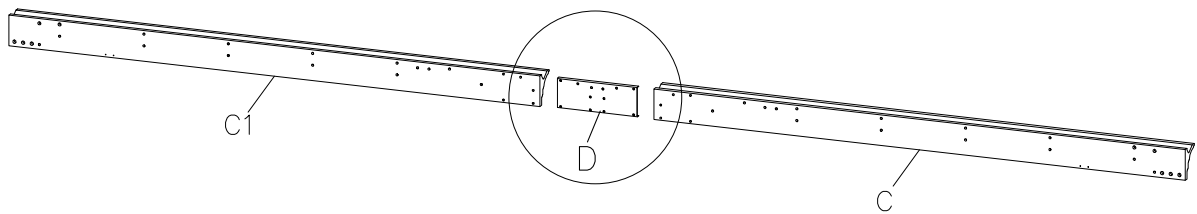
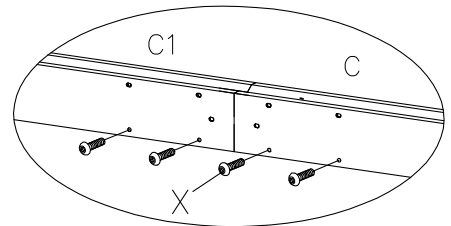
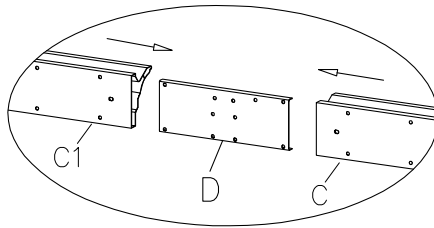


Dx2



M6*15

Xx8



STEP 3

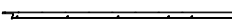
Attach parts (F3, F4, F5) to finished beam (C1&C) using screws X.



C2x2



C3x2



F3x2



F4x2

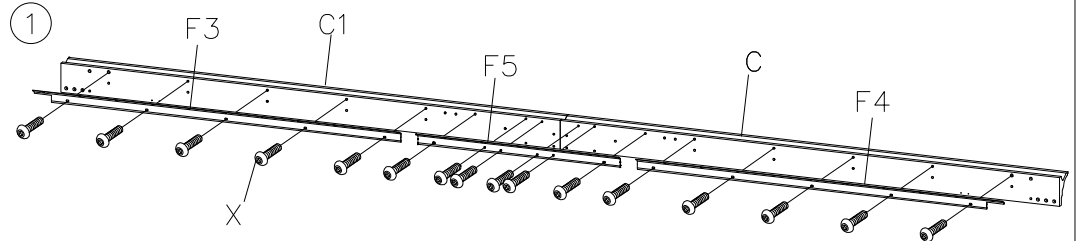


F5x2

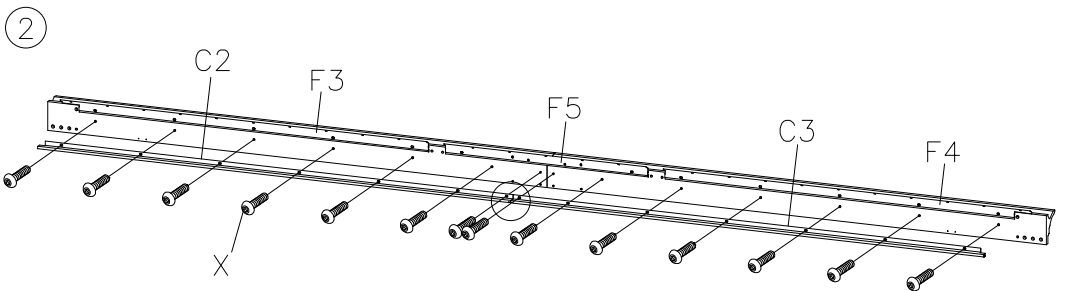


M6*15

Xx60



Attach parts (C2, C3) to finished beam (C1&C) using screws X.



STEP 4



Bx2



B1x2



B2x2



B3x2



F1x2

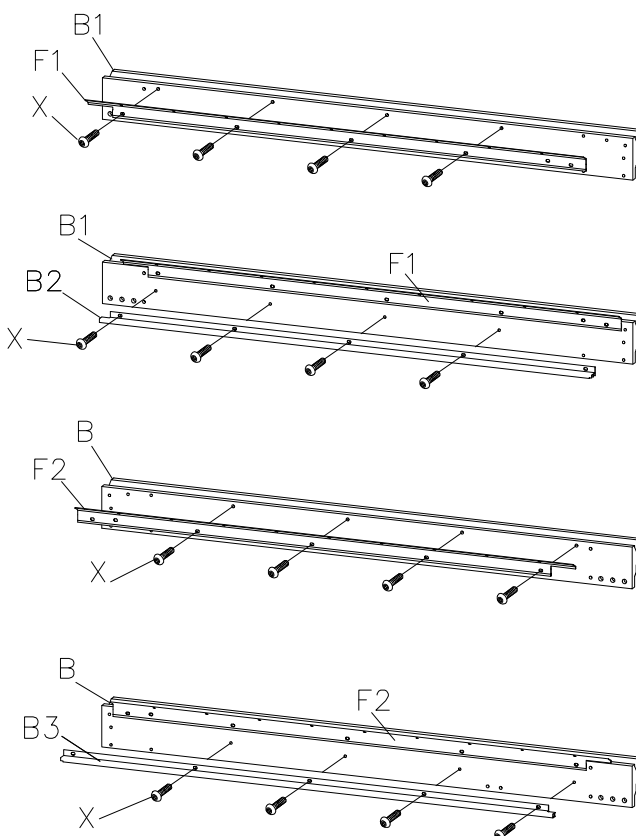


F2x2



M6*15

Xx32



Attach parts (B2, B3, F1, F2) to finished beam (B&B1) using screws X as shown in diagram.

STEP5

Connect (Part B1) and (Part B) into one beam using union bar (Part D) with screws X.

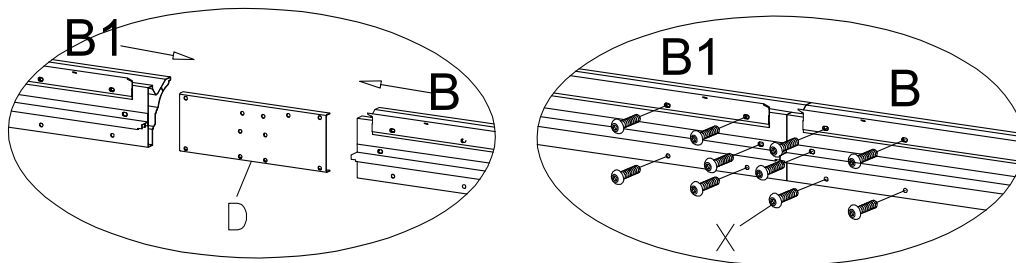


Dx2



M6*15

Xx20



B1

B

STEP6

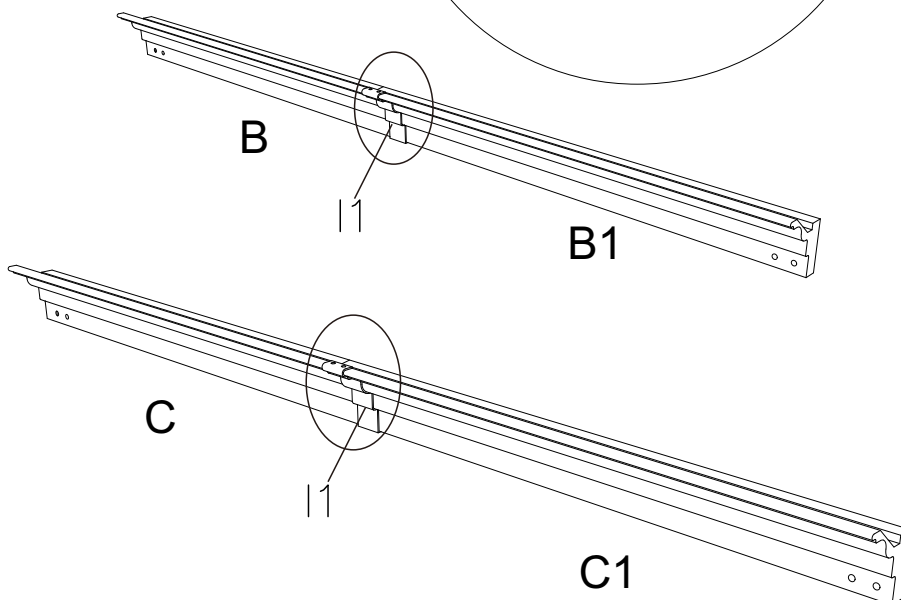
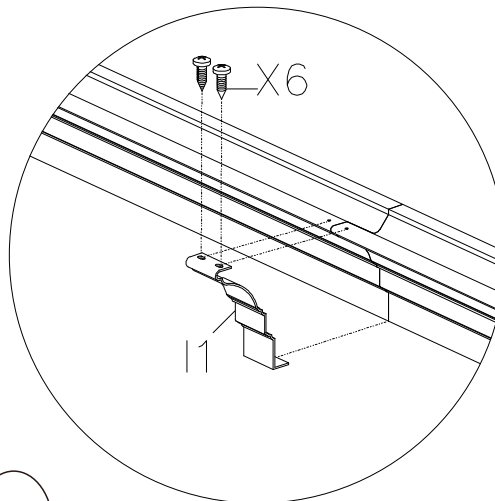
Affix middle beams using joint cover (Part I1) and screws X6 as shown in diagram.



I1x4



X6x8



STEP 7

Use screws(X&X2) to connect poles and beams together as shown in diagram.



L1x4



L2x4



X2x16

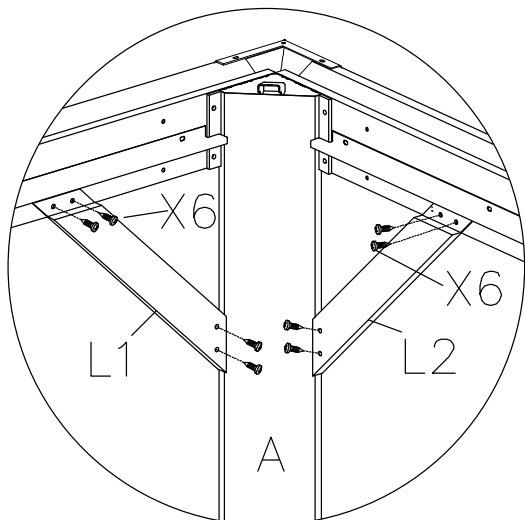
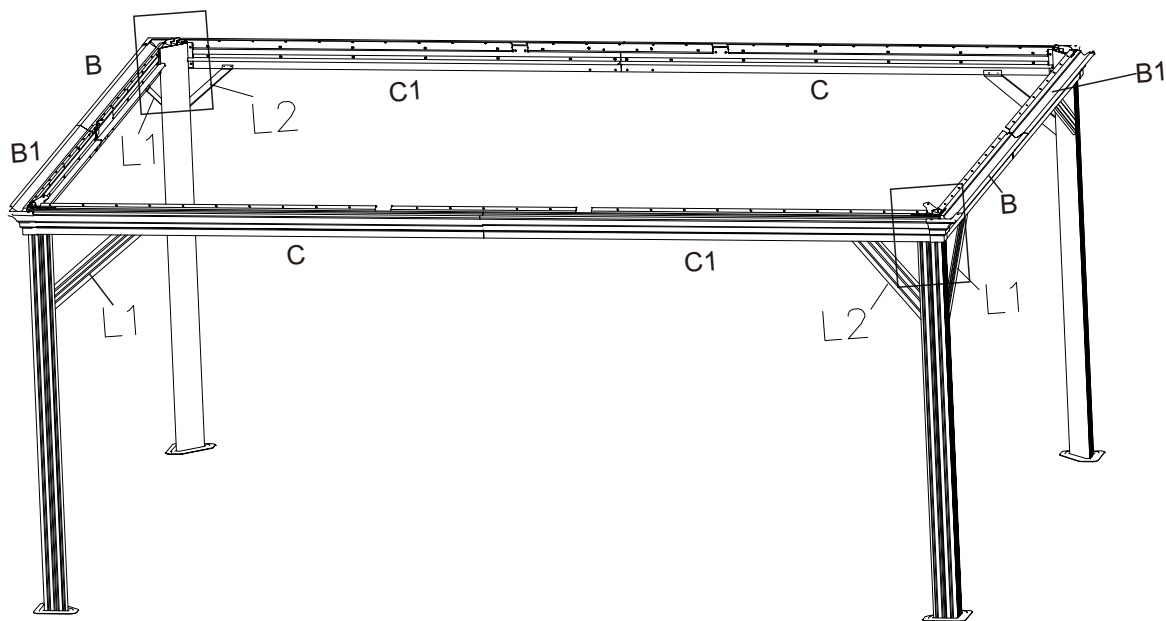
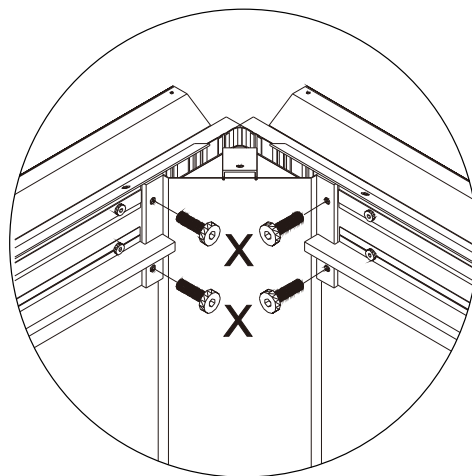
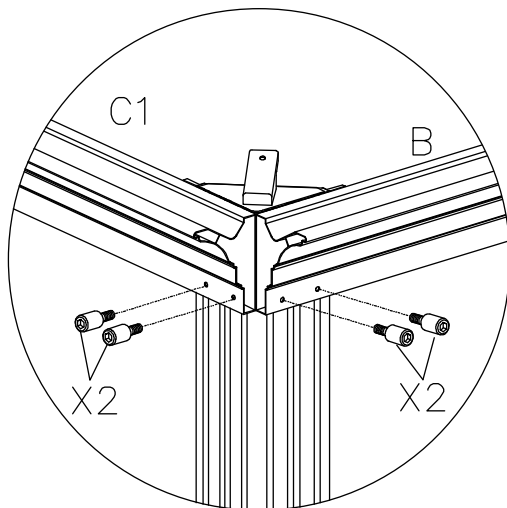


M6*15

Xx16



X6x32



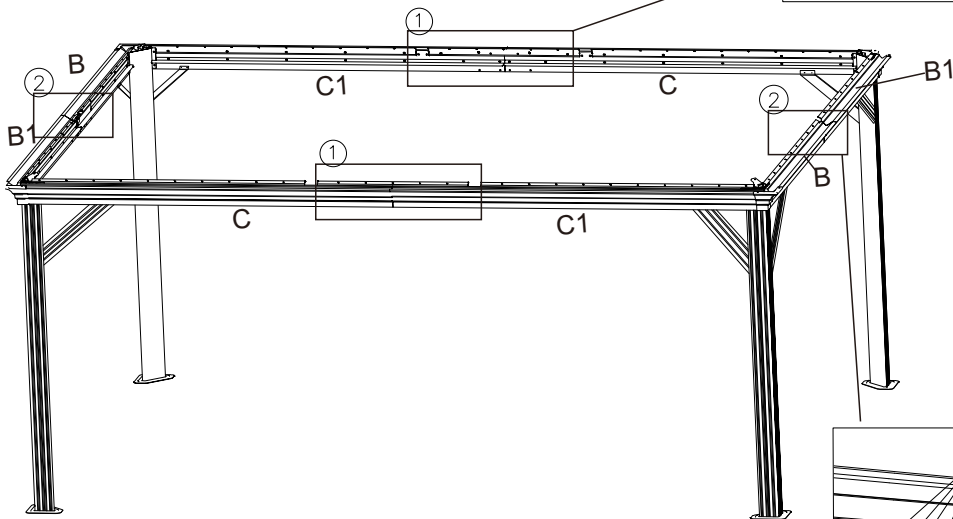
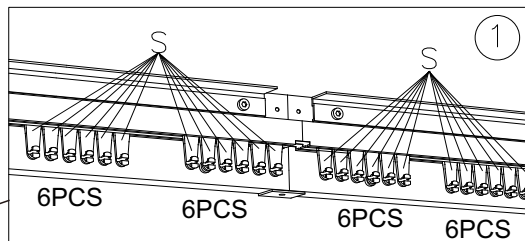
Affix the frame with corner solidifying bars (Part L1 and L2) using screws X6 as shown in diagram.

STEP8

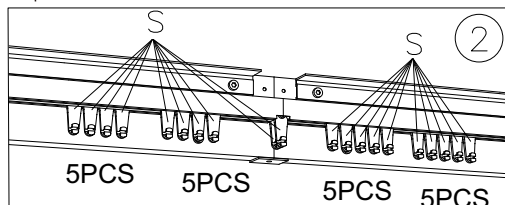
Put 6 hooks (Part S) to each slot of sidewall track (Part C&C1).



Sx88



Put 5 Hooks (Part S) to each slot of sidewall track (Part B&B1).



STEP9

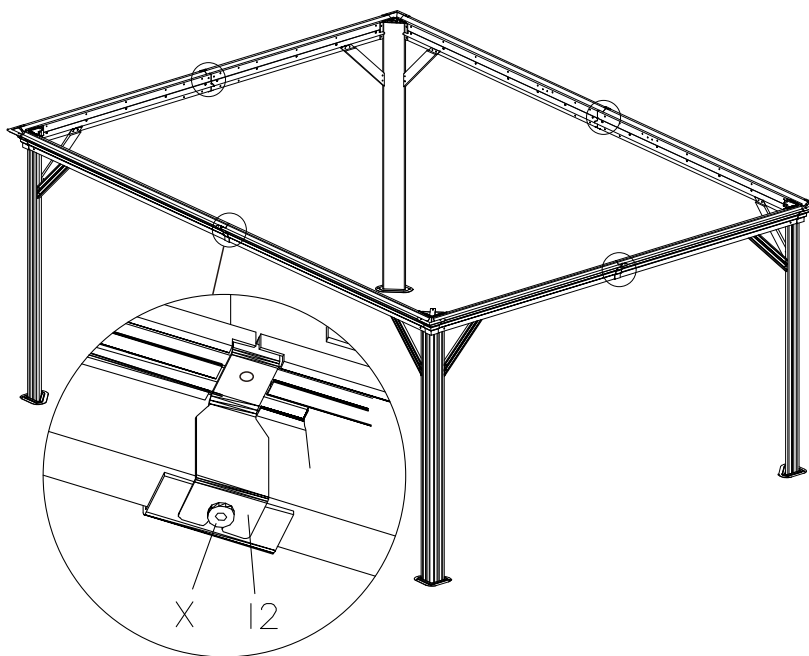


I2x4



M6*15

Xx4



Affix middle beams using joint cover (Part I2) and screws X as shown in diagram.

STEP10

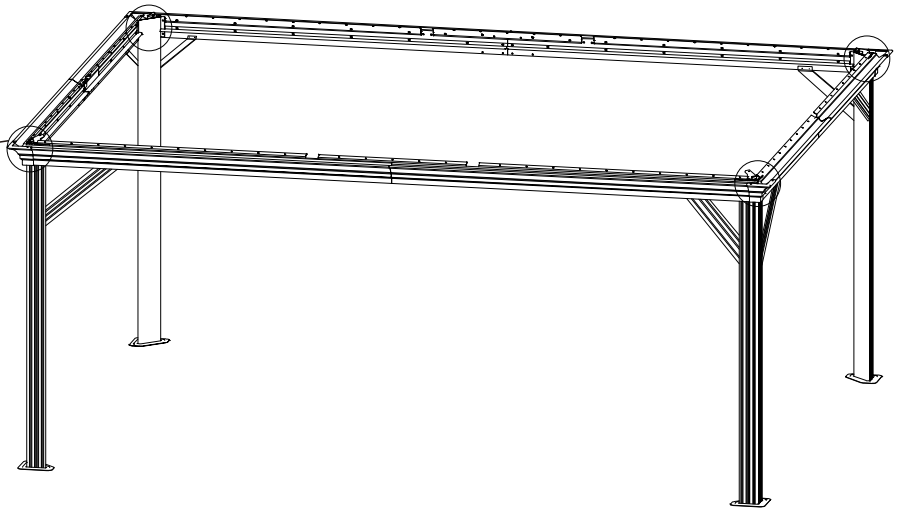
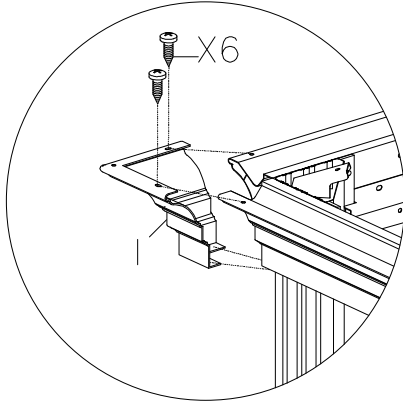
Finish connecting beams using corner covers (Part I) and screws X6 as shown in diagram.



Ix4



X6x8



STEP11

Connect the inside roof connector (Part K1) with the corner roof bar (Part E) using screws X as shown in diagram.



E x 4

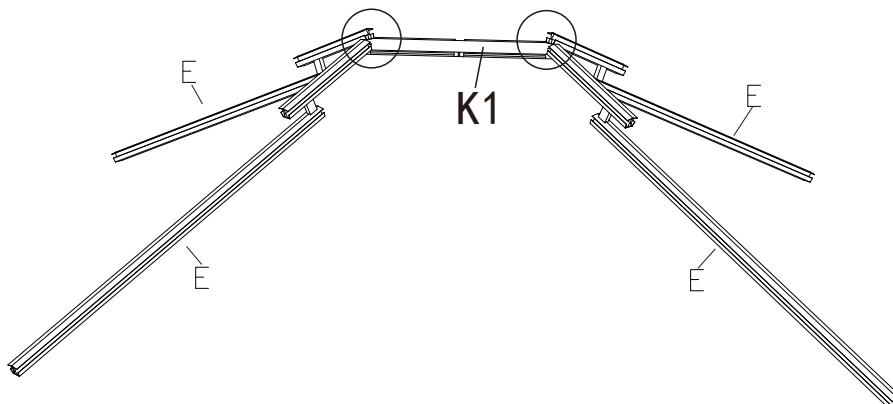
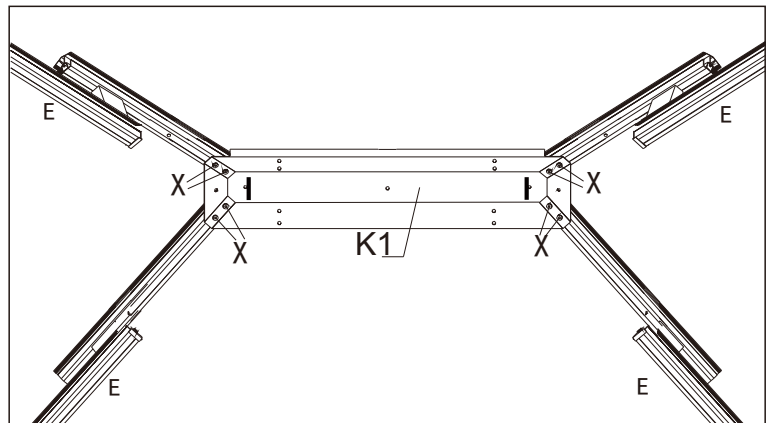


K1 x 1



M6*15

X x 8



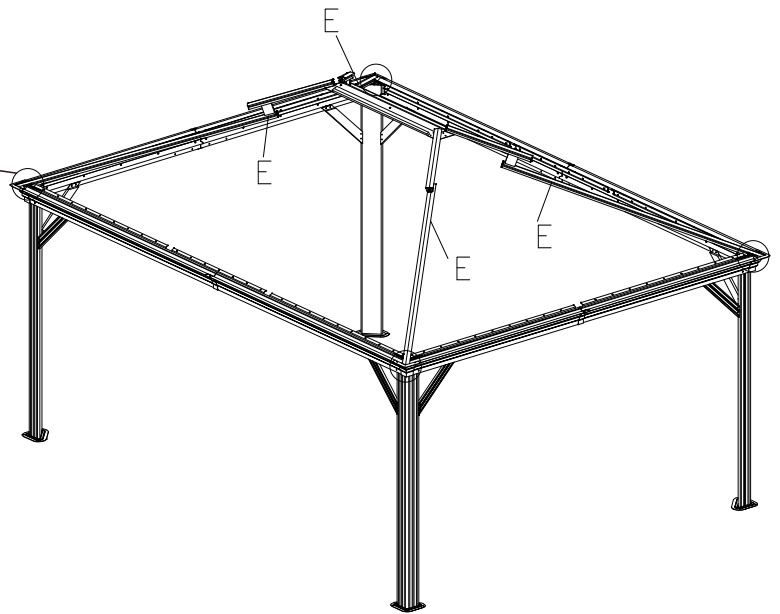
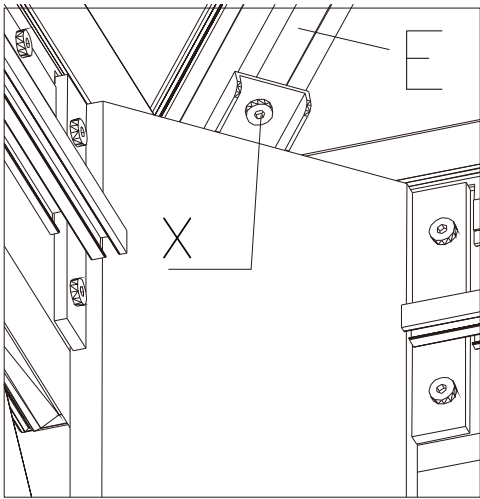
STEP12

Attach corner roof bar (Part E) to main frame using screws X as shown in diagram.



M6*15

Xx4



STEP13

Attach roof bar (Part E1) to inside roof connector using screws X.

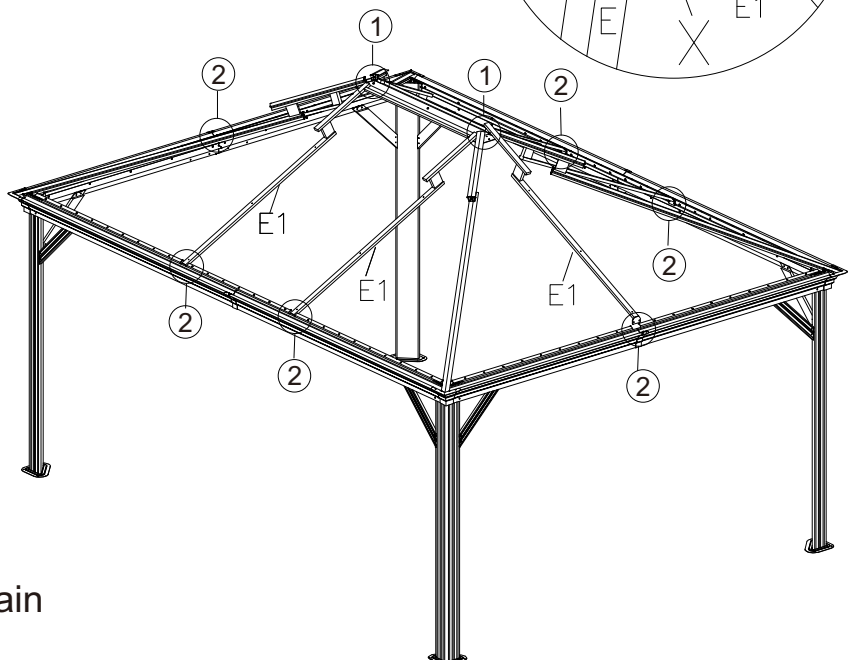
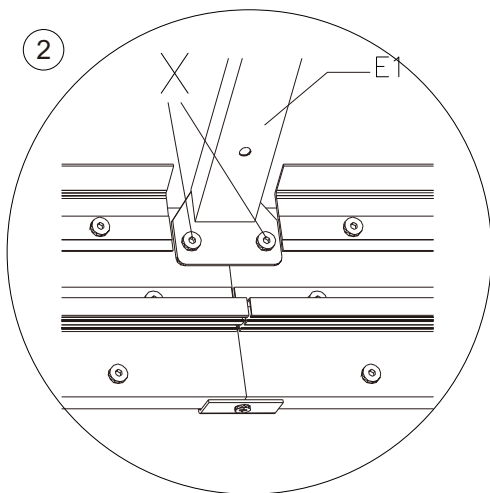
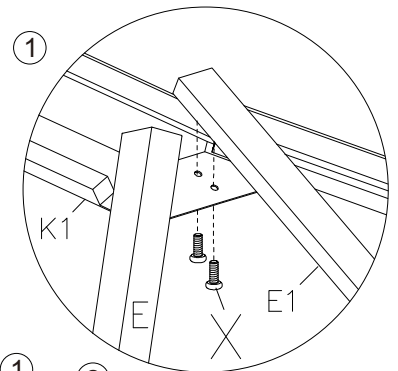


E1x6



M6*15

Xx24



Attach roof bar (Part E1) to main frame using screws X.

STEP14

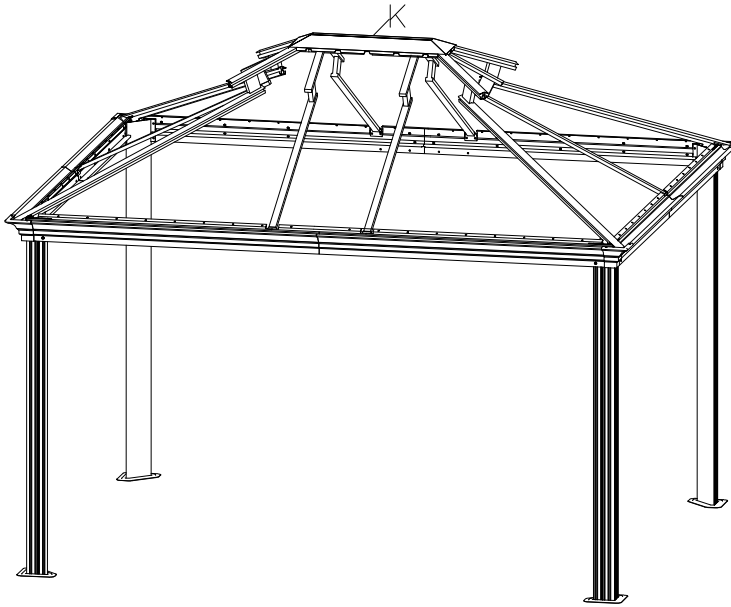
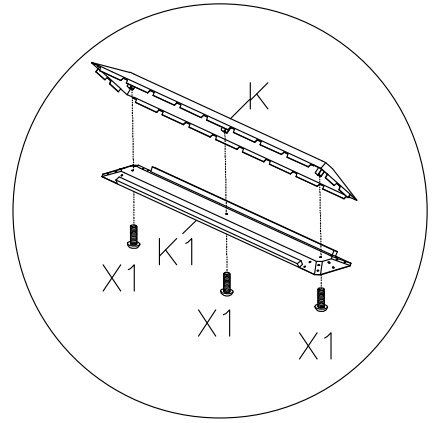
Connect outside roof connector (Part K) to inside roof connector (Part K1) using screws X1 as shown in diagram.



Kx1



X1x3

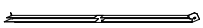


STEP15

Attach finishing bar (Part H&H1) to upper roof with finish end (Part M2) using screws X as shown in diagram.



Hx2



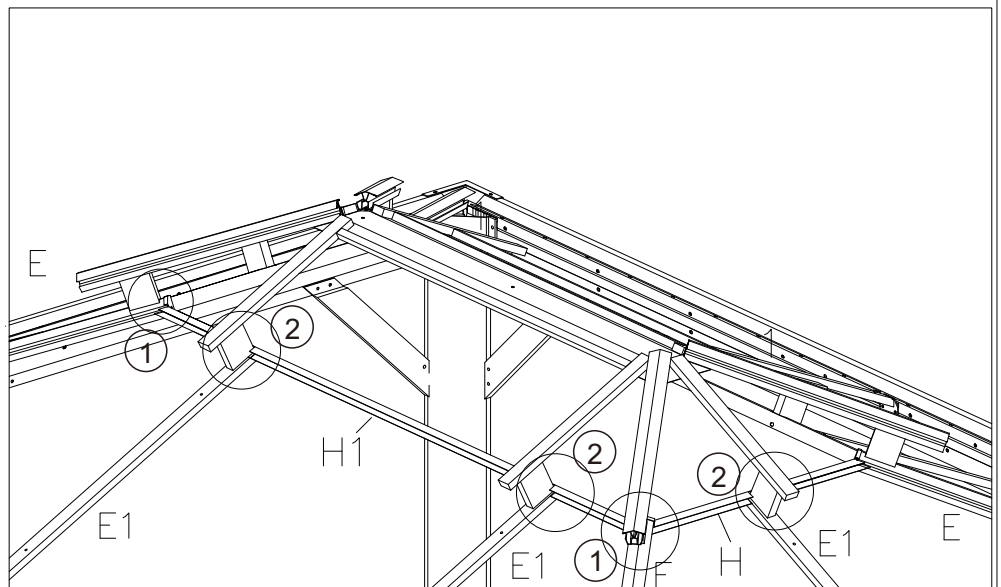
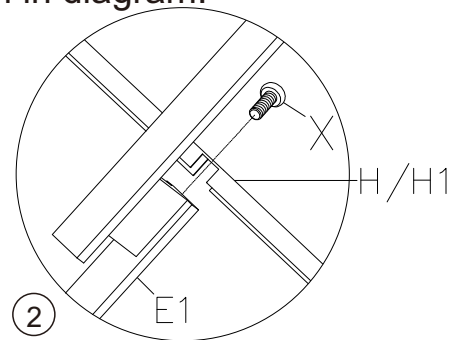
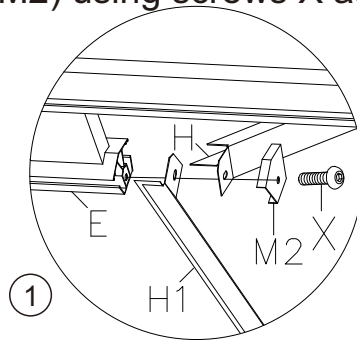
H1x2



M2x4



Xx10



STEP16

Cover metal brackets (Part R1 and R) to roof panels as shown in diagram.



Px2



P1x4



P2x2



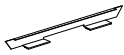
Qx2



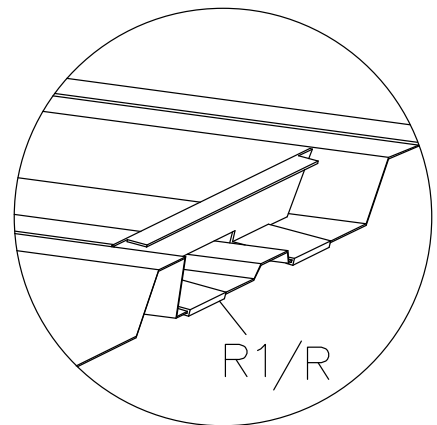
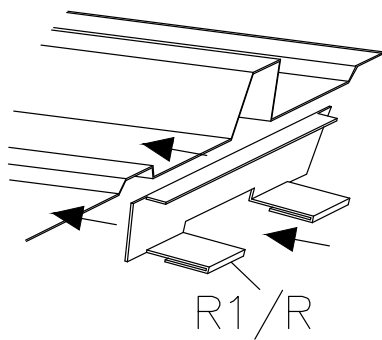
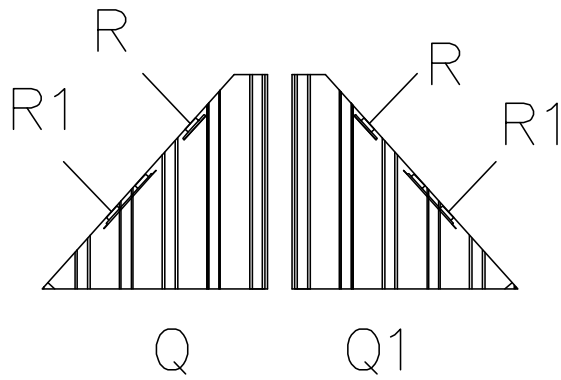
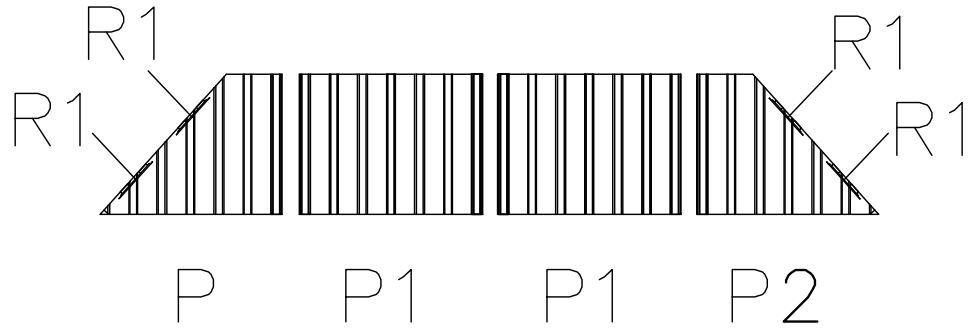
Q1x2

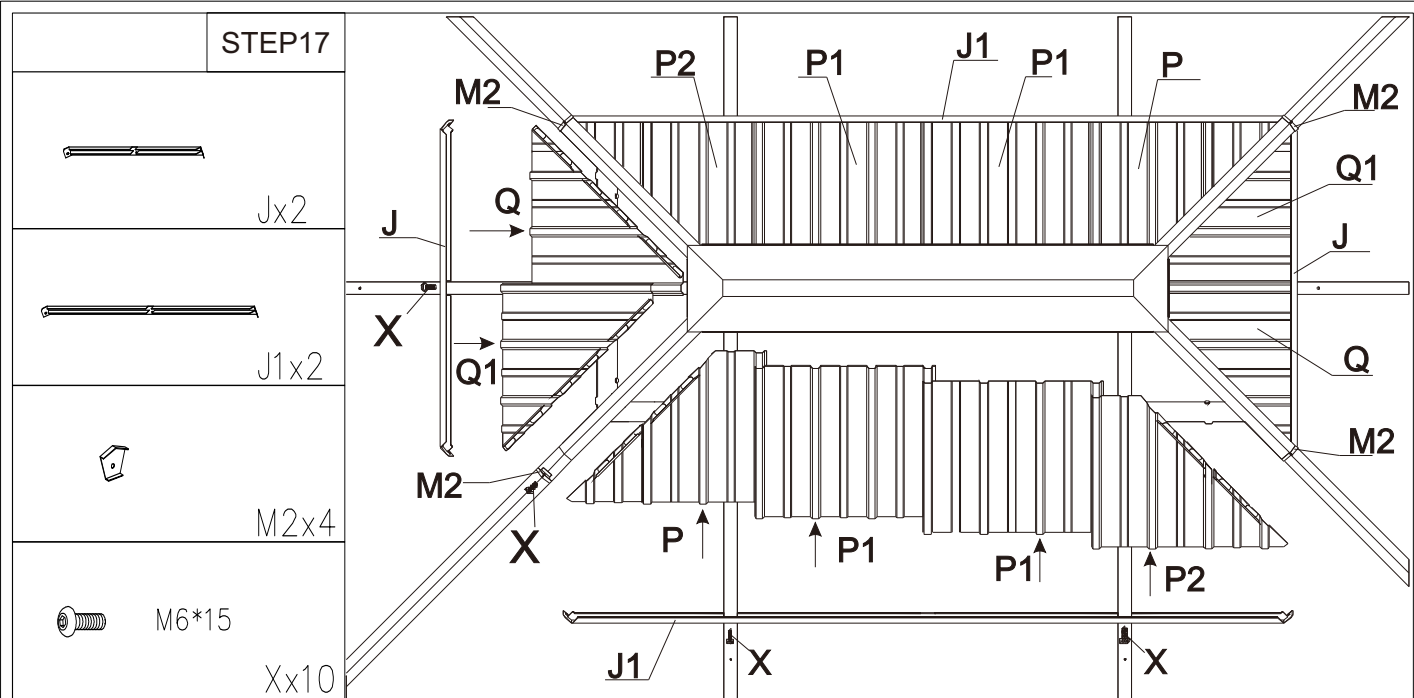


Rx4

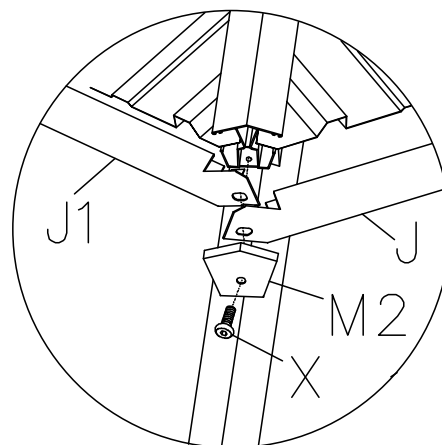
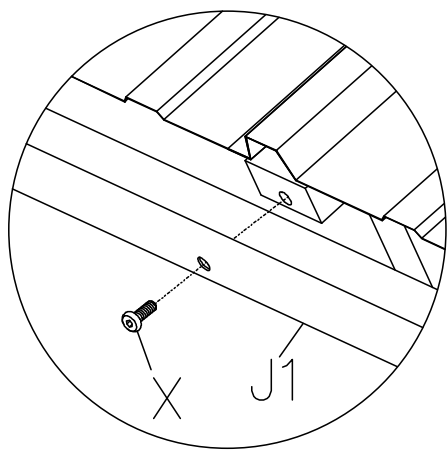
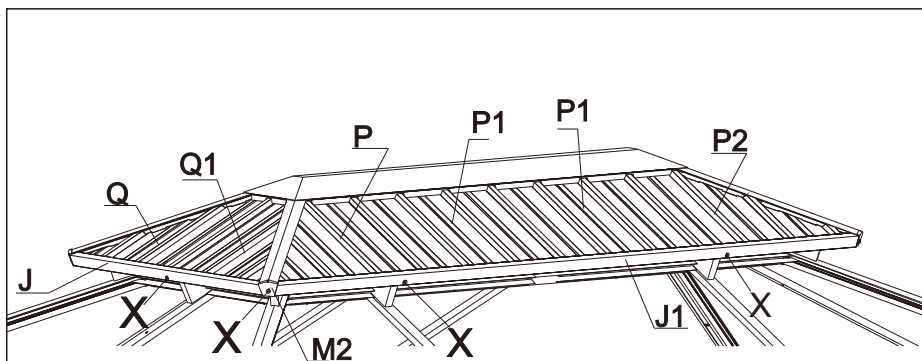


R1x12





Push the roof panels (Part P,P1,P2,Q,Q1) to upper roof as shown in diagram.



Attach finishing bar (Part J&J1) to upper roof with finish end (Part M2) screws X as shown in diagram.

STEP18



Gx4



G1x2



G2x4



M3x6

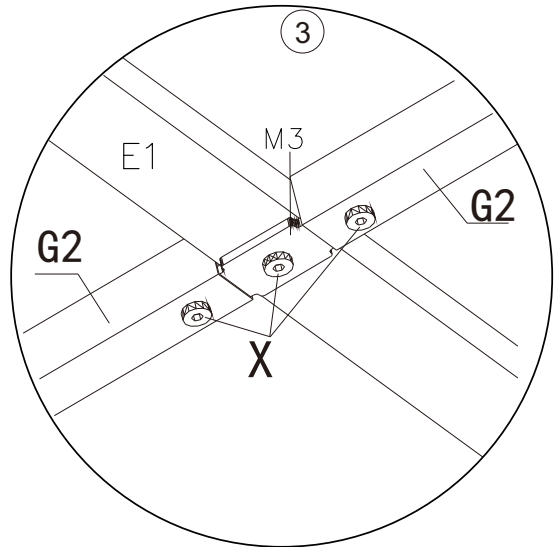
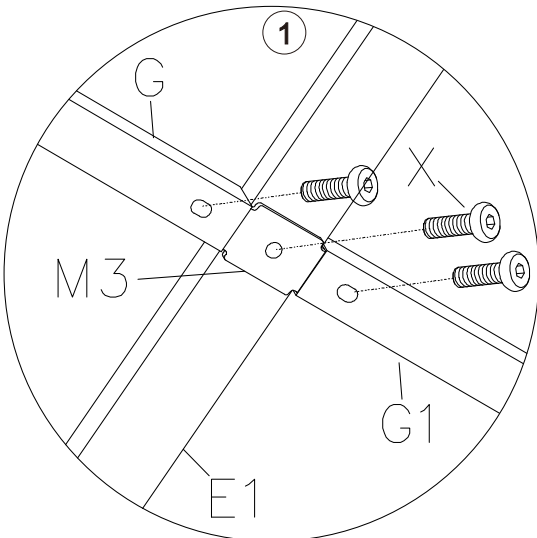
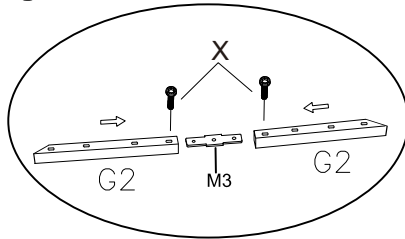
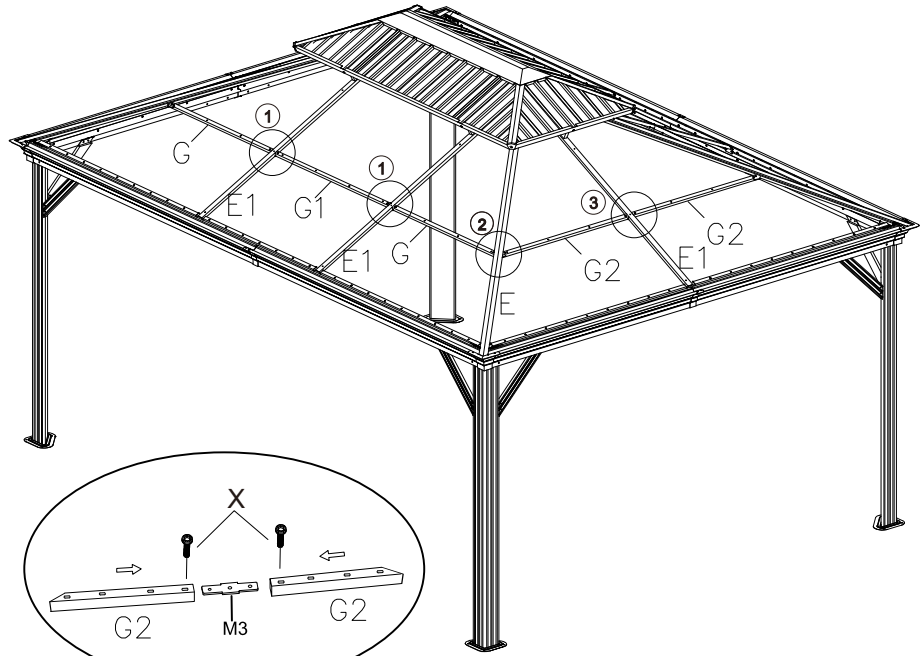


M4x4

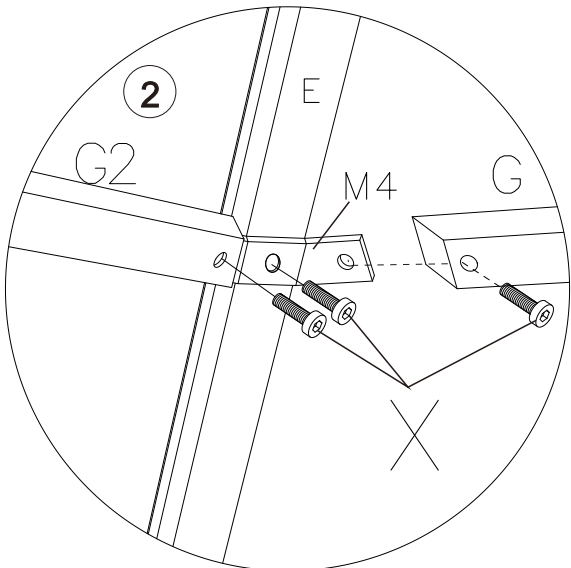


M6*15

Xx30
















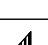






Affix solidifying bar (Part G,G1&G2) to roof bar or corner roof bar using iron angle (Part M3) and screws X as shown in diagram.

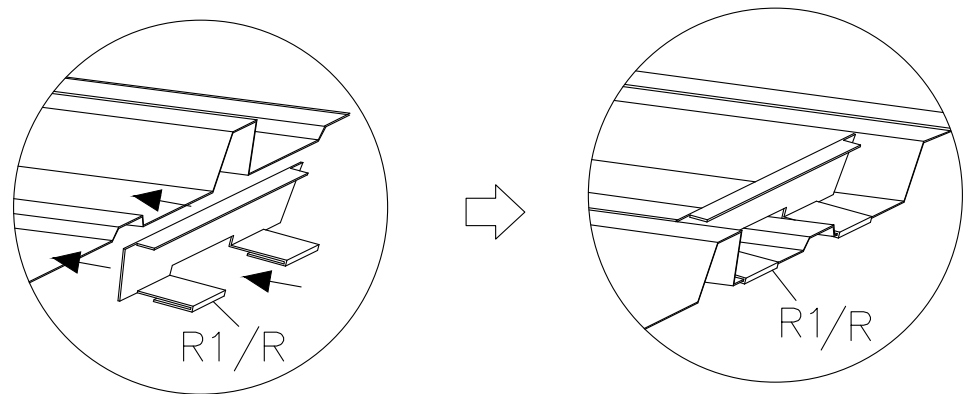
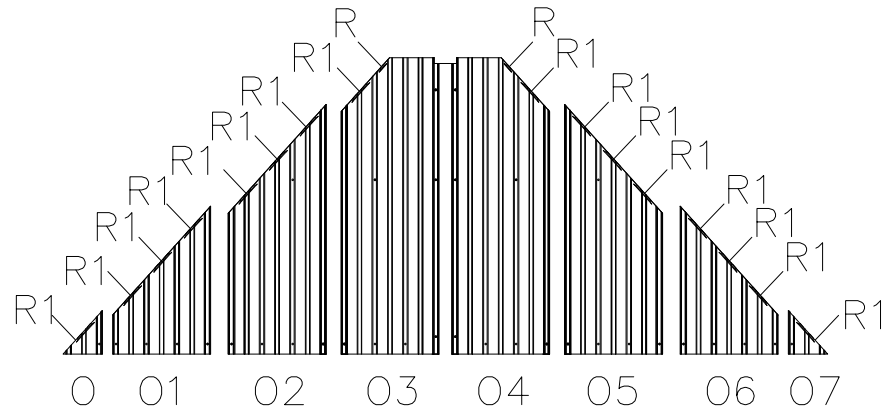
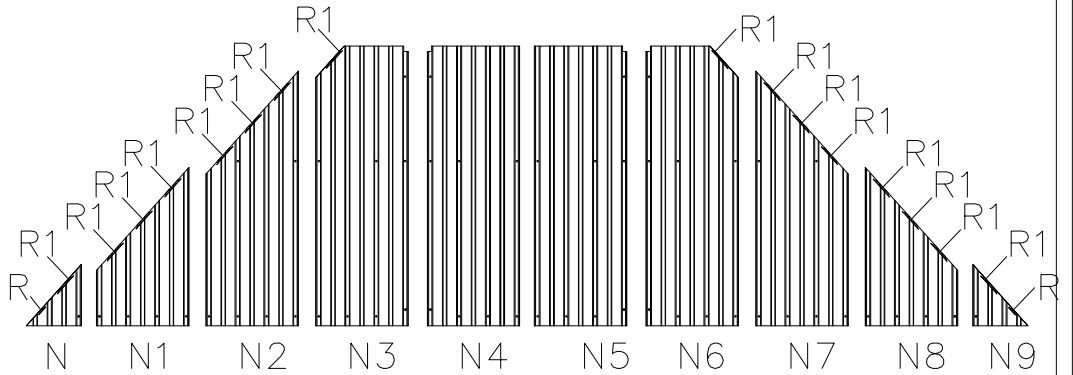


Affix solidifying bars to corner bar using iron angle (Part M4) and screws X as shown in diagram.

STEP19

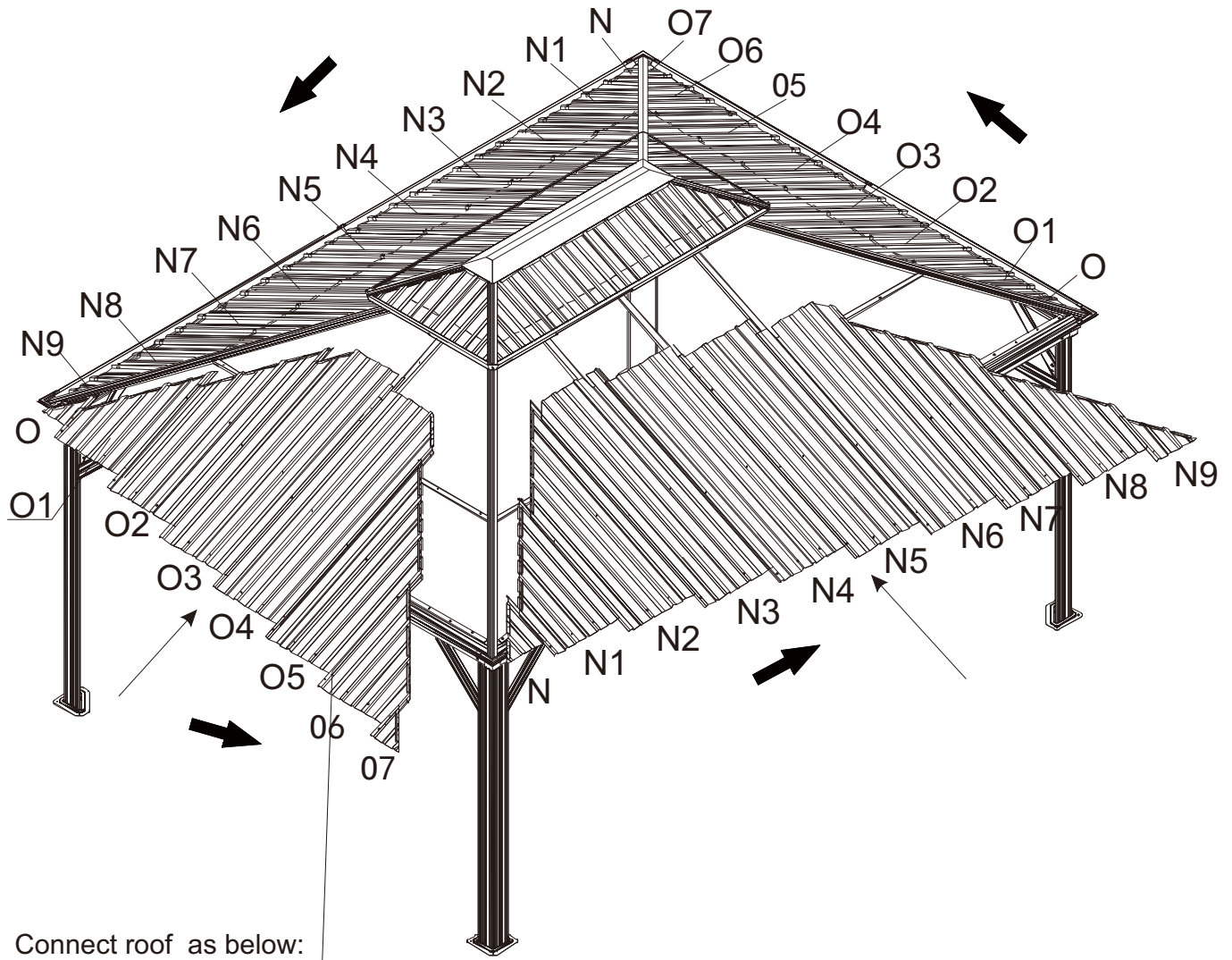
Cover metal brackets (Part R1 and R) to roof panels as shown in diagram.

	Nx2
	N1x2
	N2x2
	N3x2
	N4x2
	N5x2
	N6x2
	N7x2
	N8x2
	N9x2
	0x2
	01x2
	02x2
	03x2
	04x2
	05x2
	06x2
	07x2
	Rx8
	R1x64

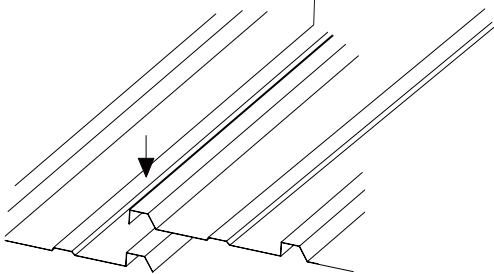


Overall roof assembly:

Please put the panels on the frame anti-clockwisely






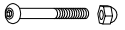

Connect roof as below:

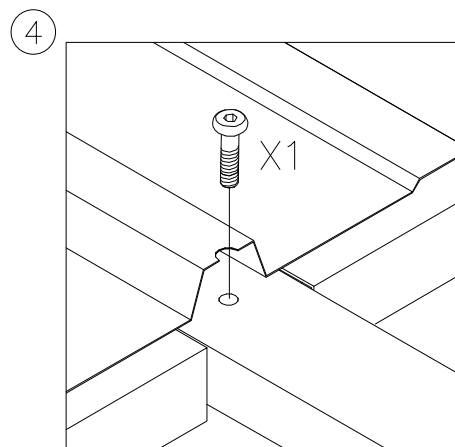
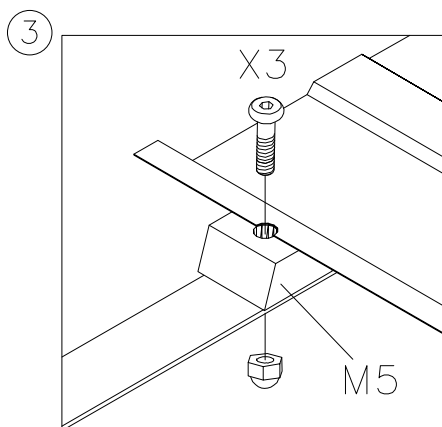
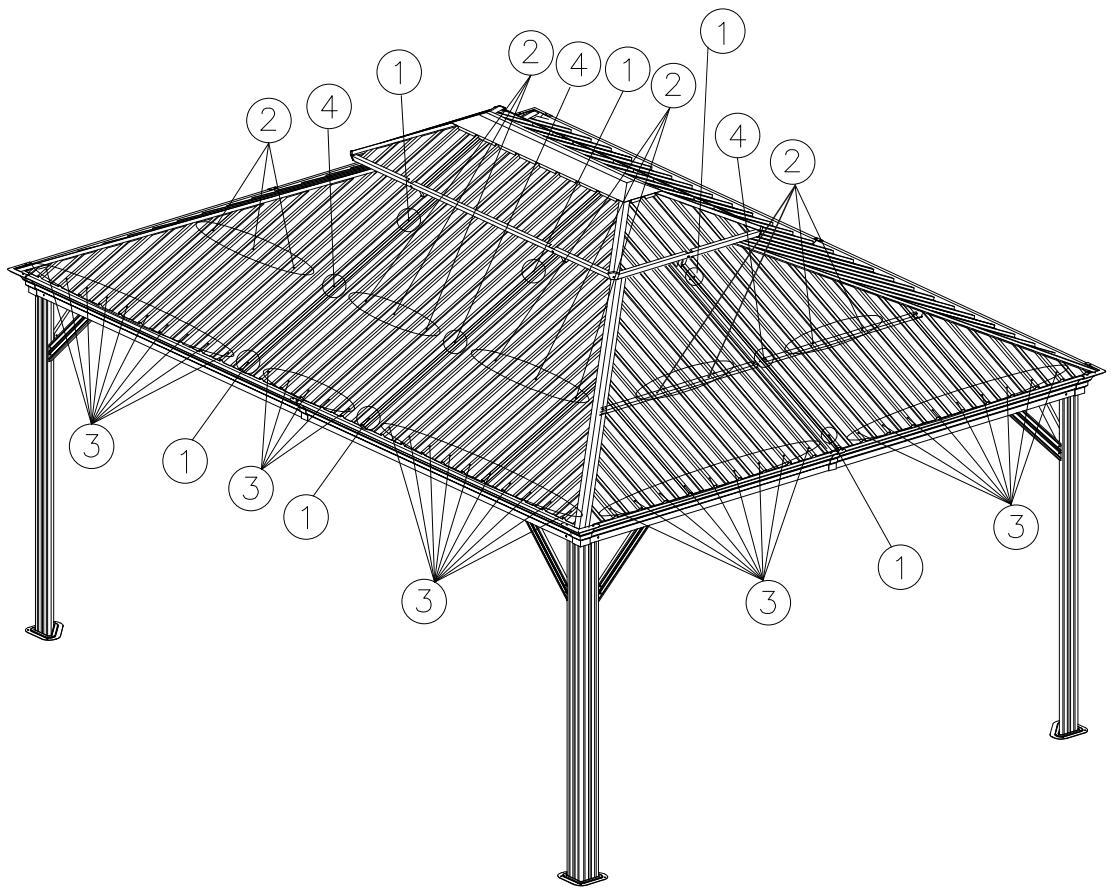
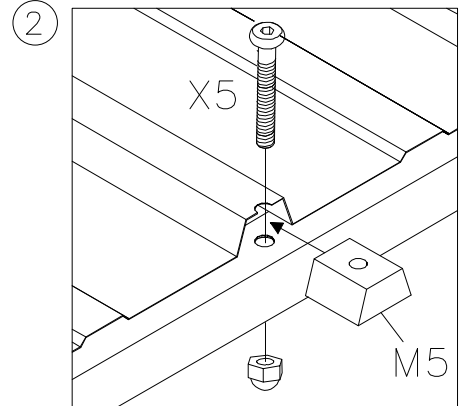
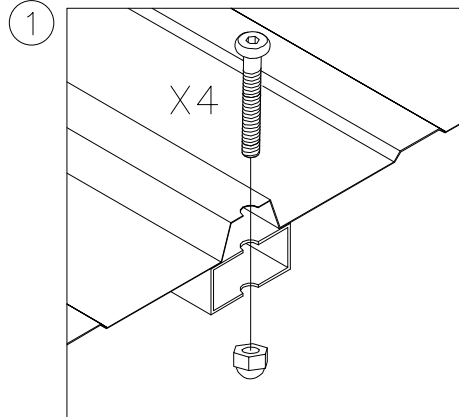


STEP20

Affix roof panels using screws and spacer (Part M5) as shown in diagram.

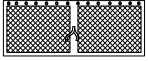
Attention:
Put on one roof panel and fasten it accordingly before attaching second roof panel.

 M6*25	X1x6
 M6*25	X3x86
 M6*45	X4x12
 M6*50	X5x26
	M5x112

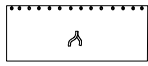


STEP21

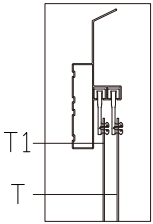
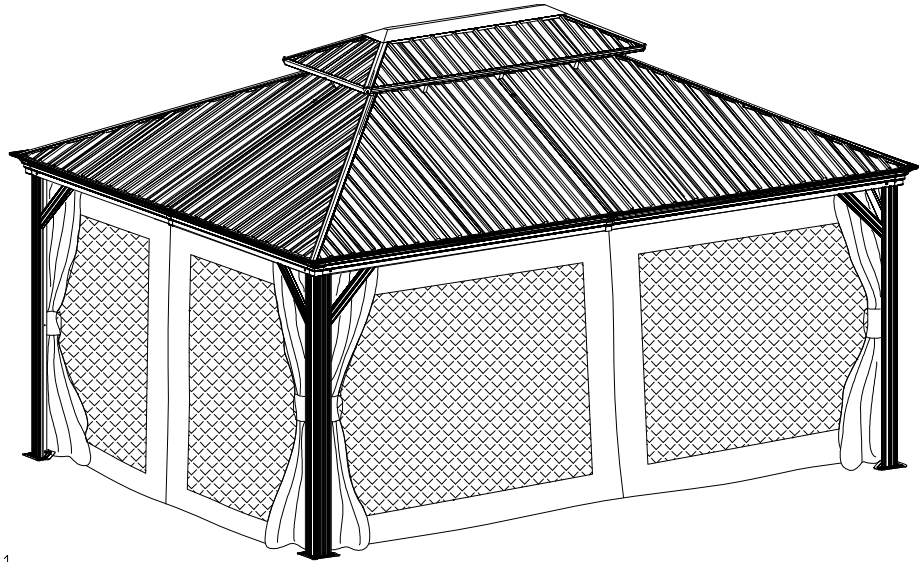
Hang up sidewall (Part T&T1) as shown in diagram.



Tx4

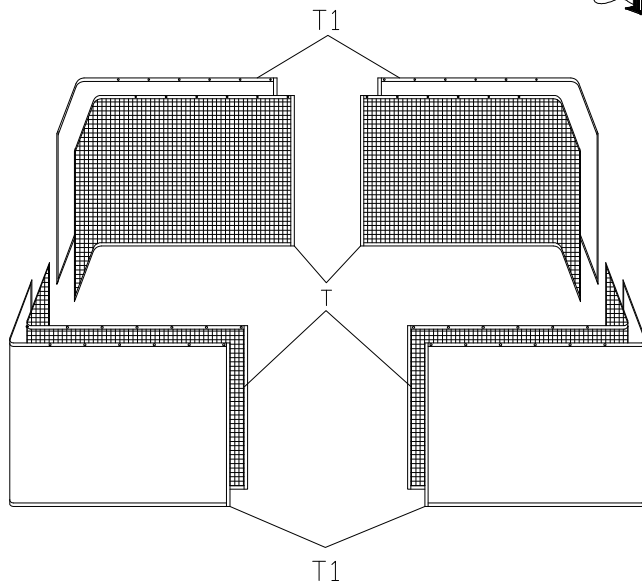


T1x4

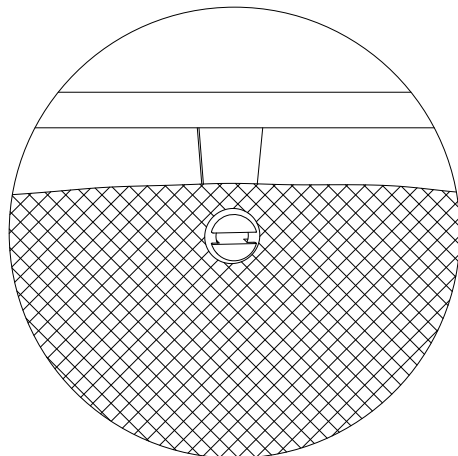
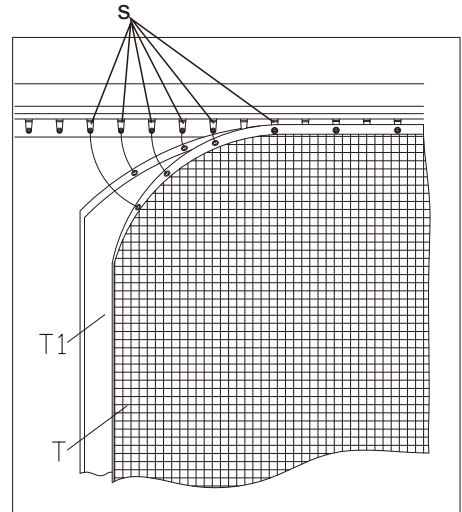


T1

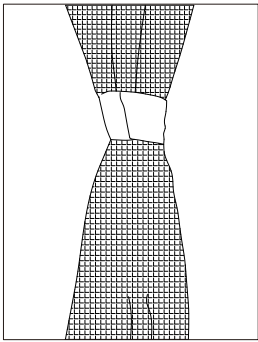
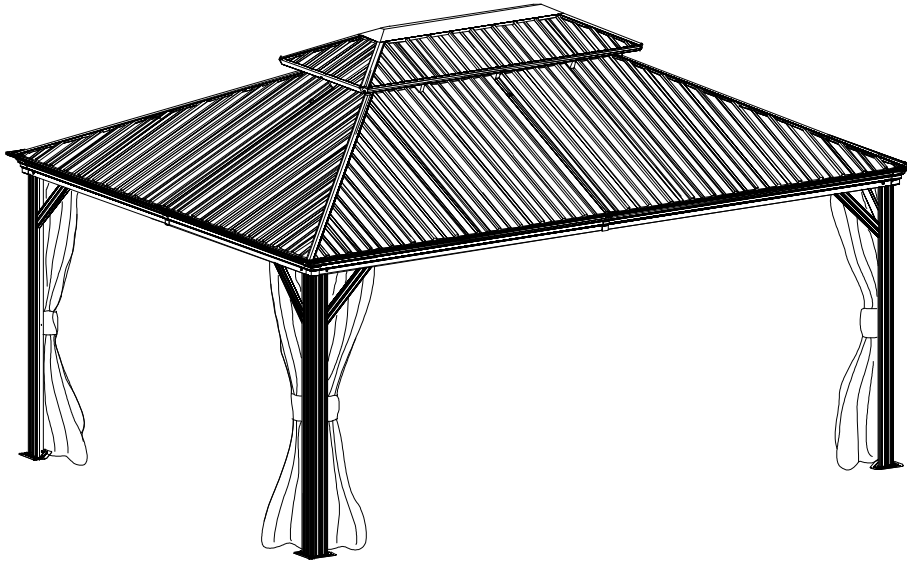
T



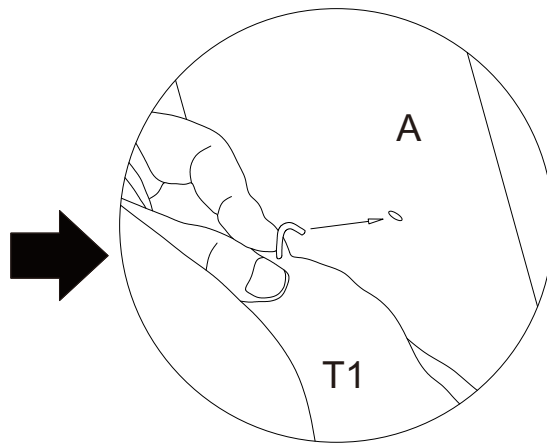
T1



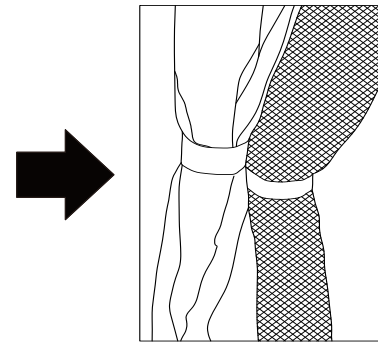
Step 22: When you close the curtain, please tie fabric strape to fix with poles as shown in diagram



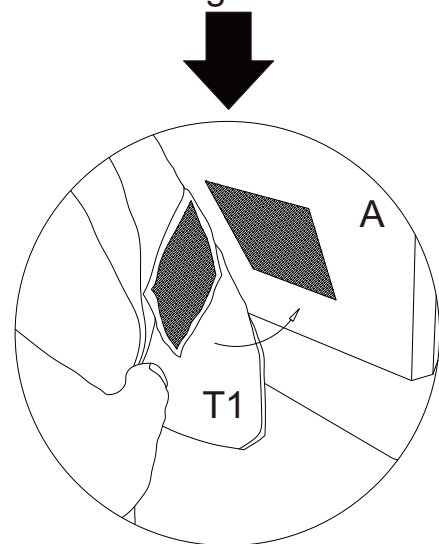
1.)Securing justthe netting.



2.)Hanging the hook of curtain on the tube A.



3.)Securing just the netting and curtains.



4.)Stacks velcro on tube A.

In the end check all screws are fixed tightly before using.



PEAKHOME FURNISHINGS INC.
970 Roosevelt #202, Irvine, CA 92620
www.peakhomefurnishings.com

**Check out more great products:
www.peakhomefurnishings.com**

CONTACT US; WE'RE HERE 7 DAYS A WEEK TO HELP YOU!



1-818-963-1558



phf@peakhomefurnishings.com

If we missed your call, please leave a detailed message including your name and phone number. We will call back as soon as possible.

SOCIAL MEDIA

Follow us on our Social Media by uploading a picture of our brands furnishings in your home, you will have chance to get our newest product free.



[Facebook.com/Peak-Home-Furnishings-Inc-103544141243786/](https://www.facebook.com/Peak-Home-Furnishings-Inc-103544141243786/)



[Instagram.com/peakhomefurnishings](https://www.instagram.com/peakhomefurnishings)



[Twitter.com/peakhomefurnis1](https://twitter.com/peakhomefurnis1)